

From your toolbox

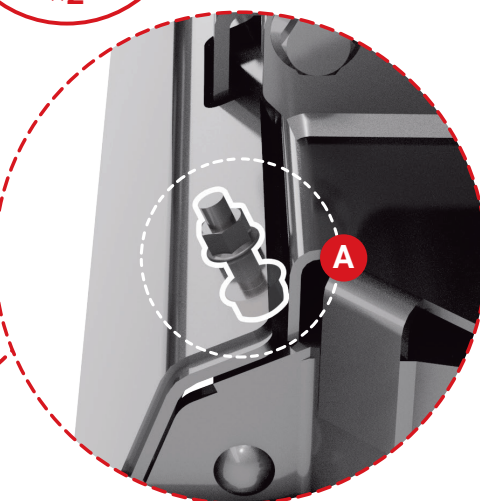
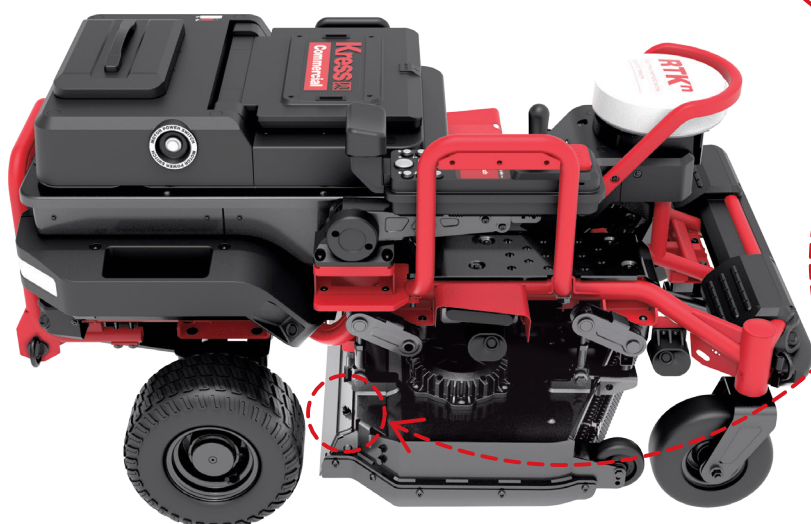
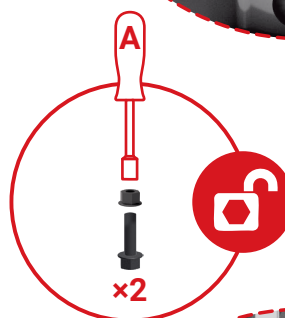
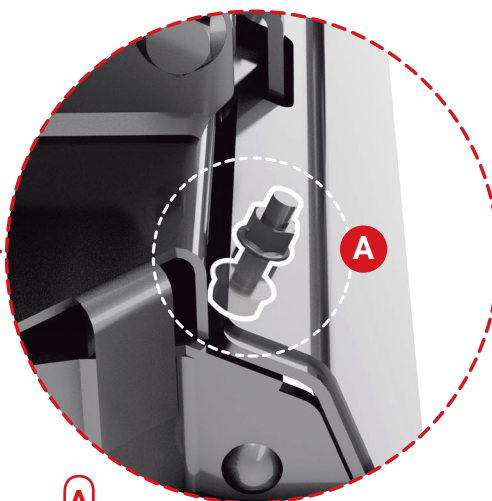


in box

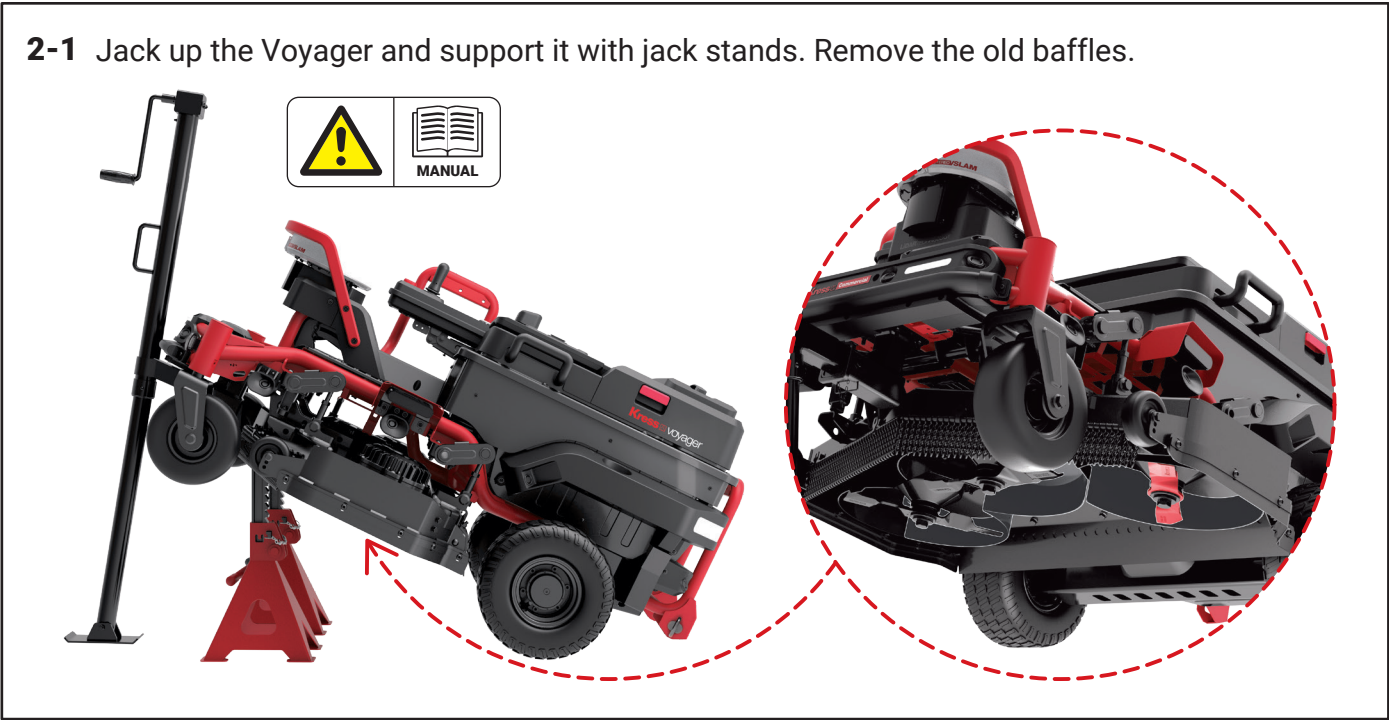


The picture is only for reference

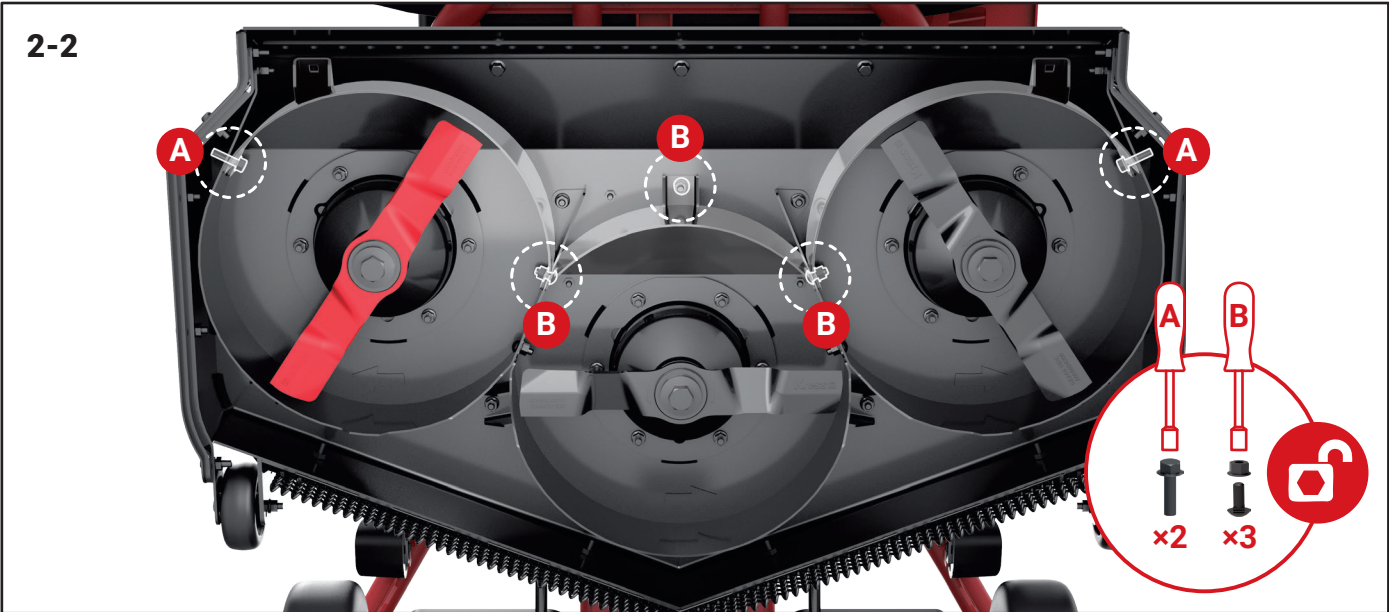
1



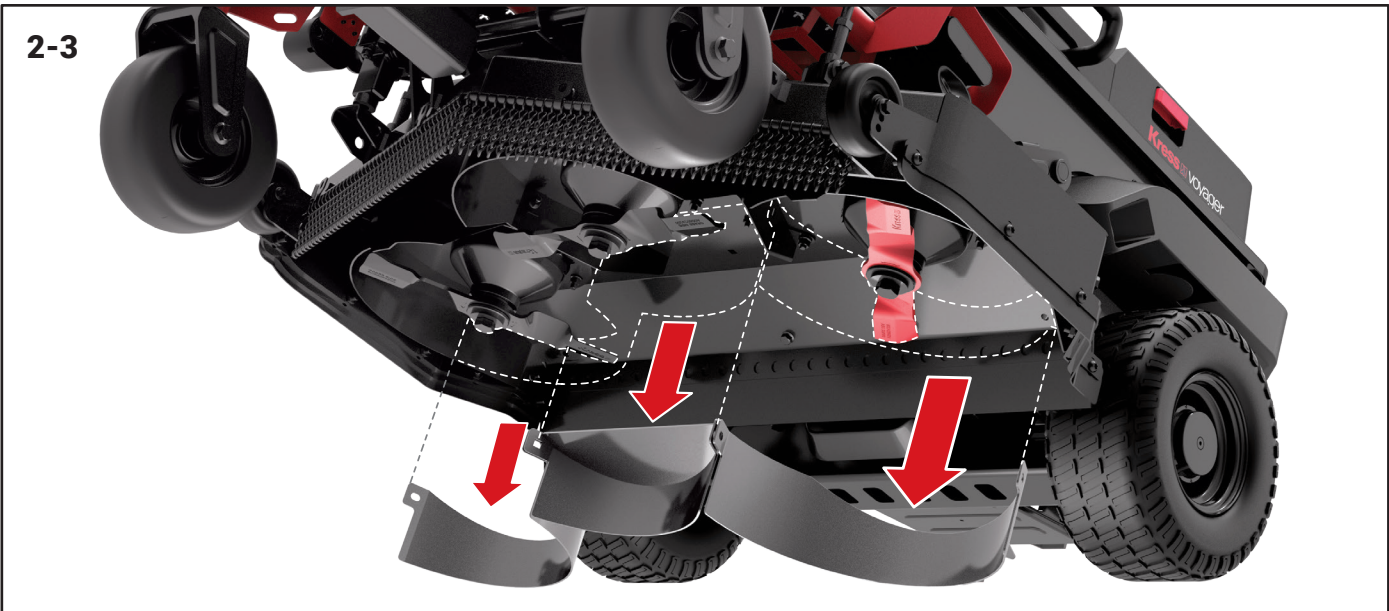
2-1 Jack up the Voyager and support it with jack stands. Remove the old baffles.



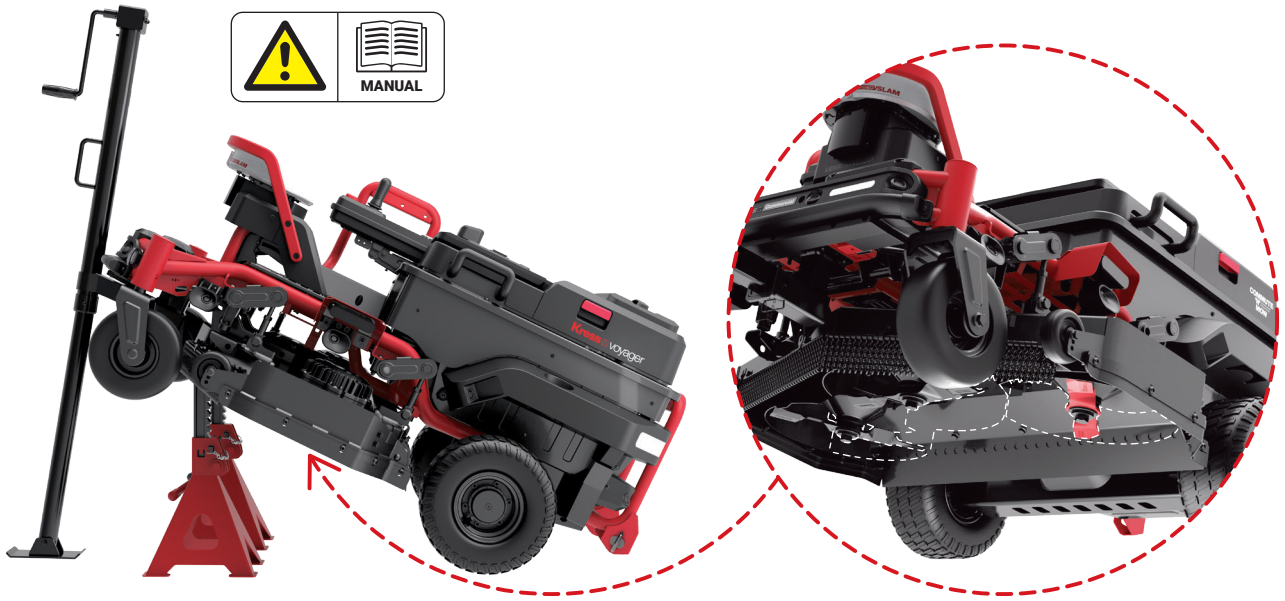
2-2



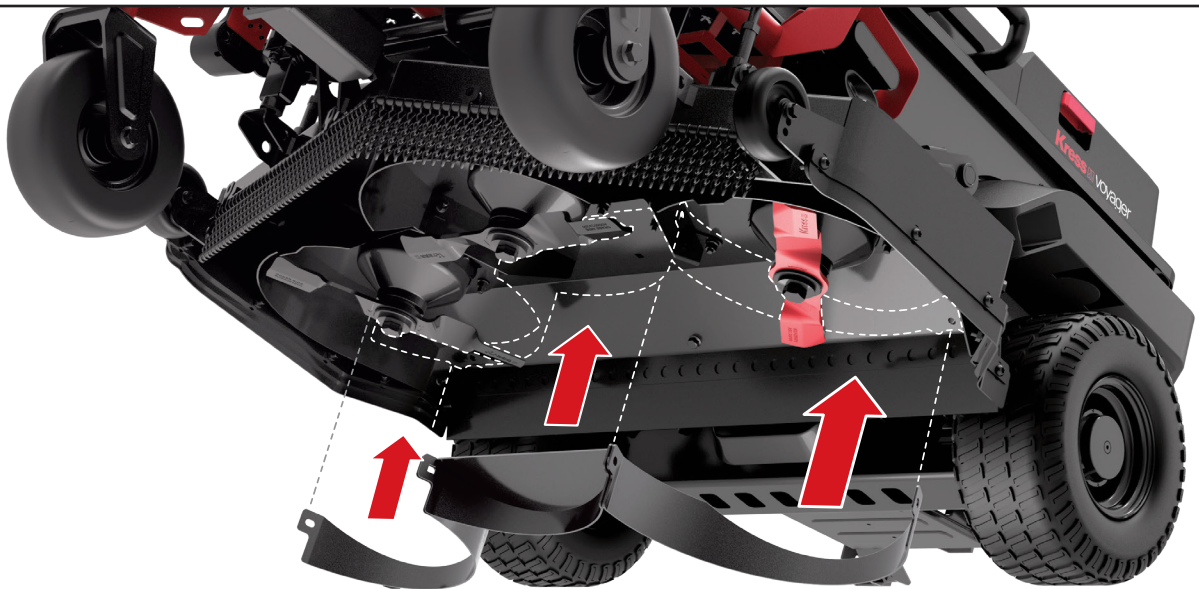
2-3



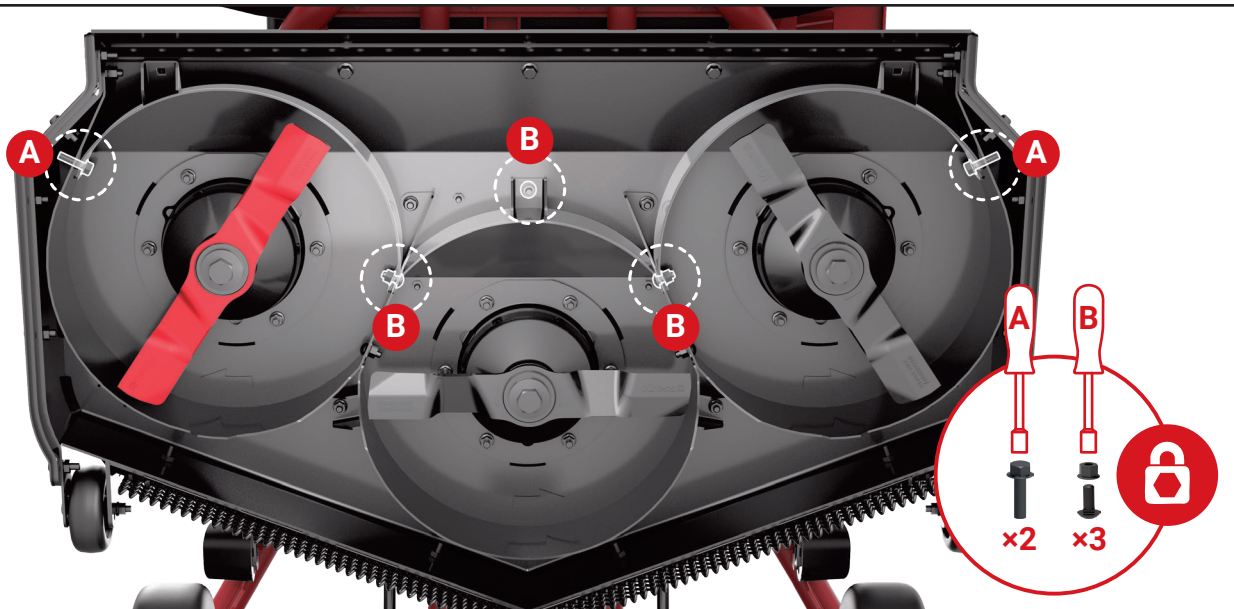
3-1 Jack up the Voyager and support it with jack stands. Install the new baffles.



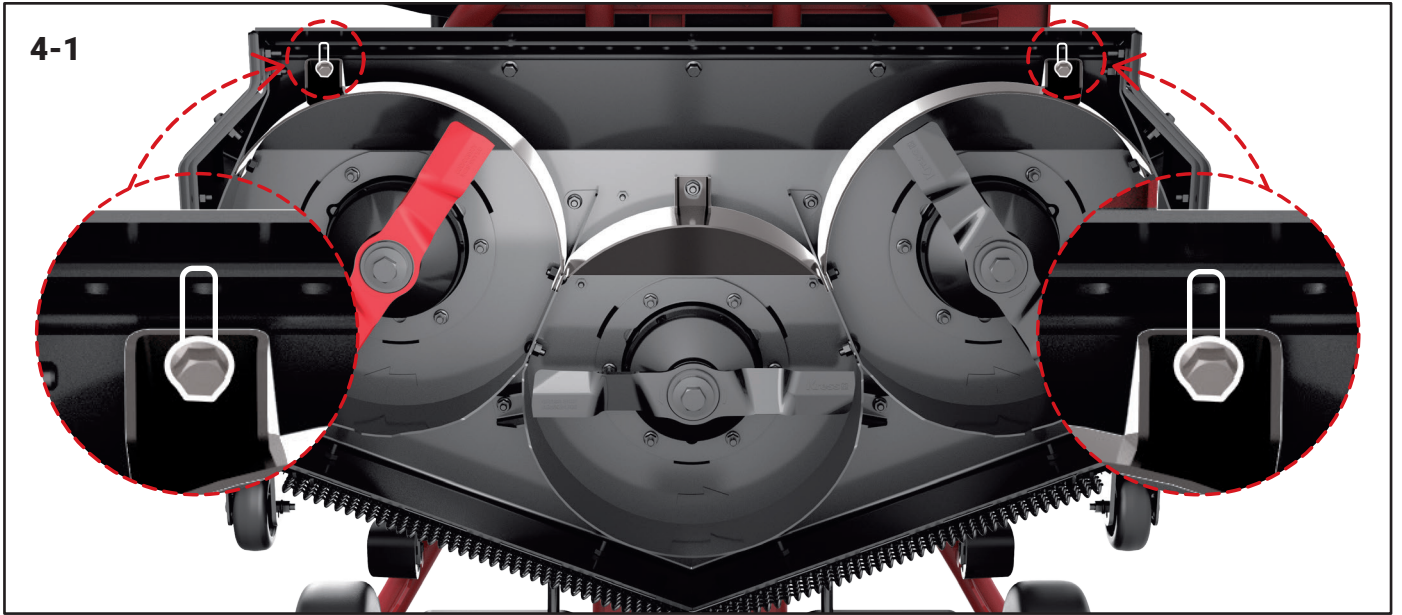
3-2



3-3



4-1



4-2

