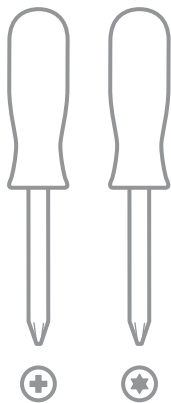


From your toolbox

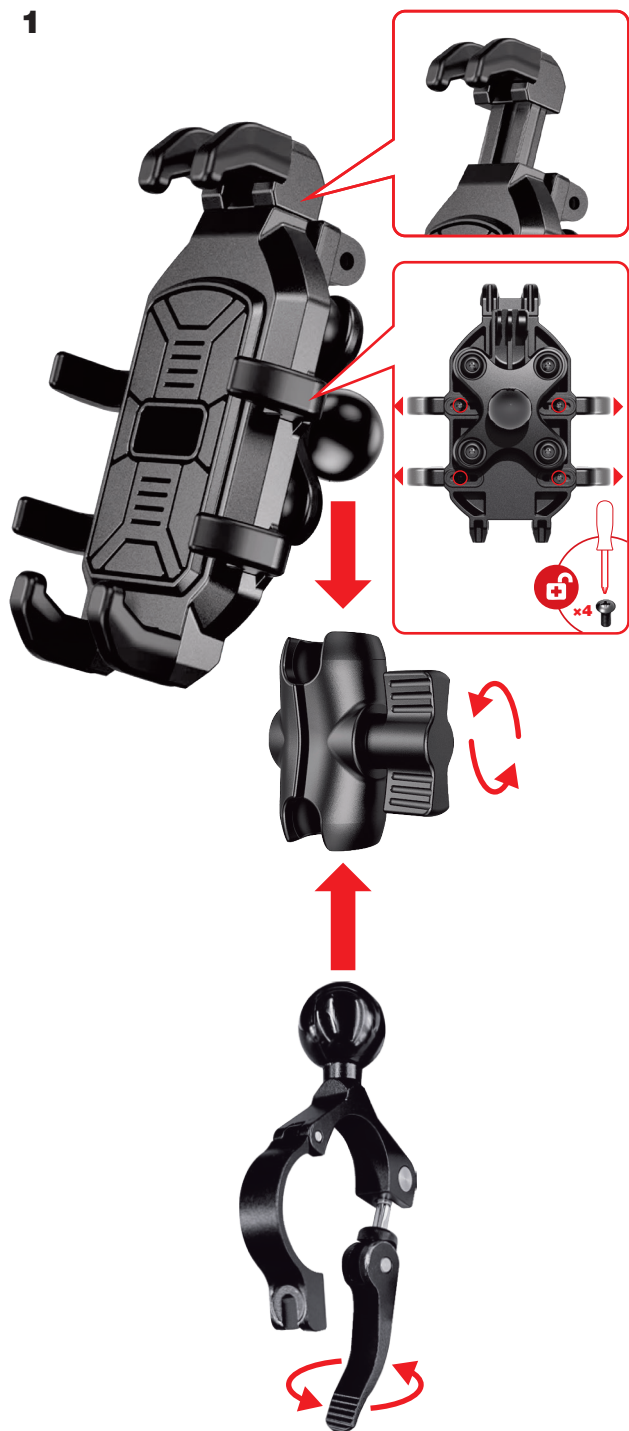


in box



The picture is only for reference

1



2



