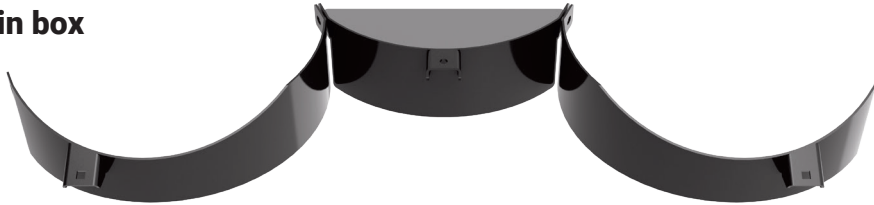


## From your toolbox

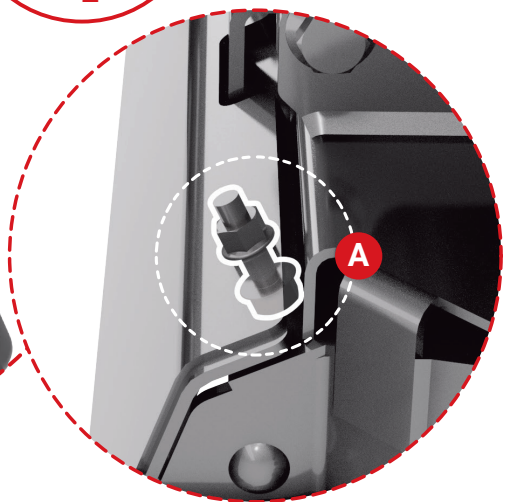
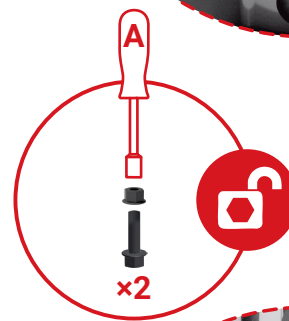


## in box

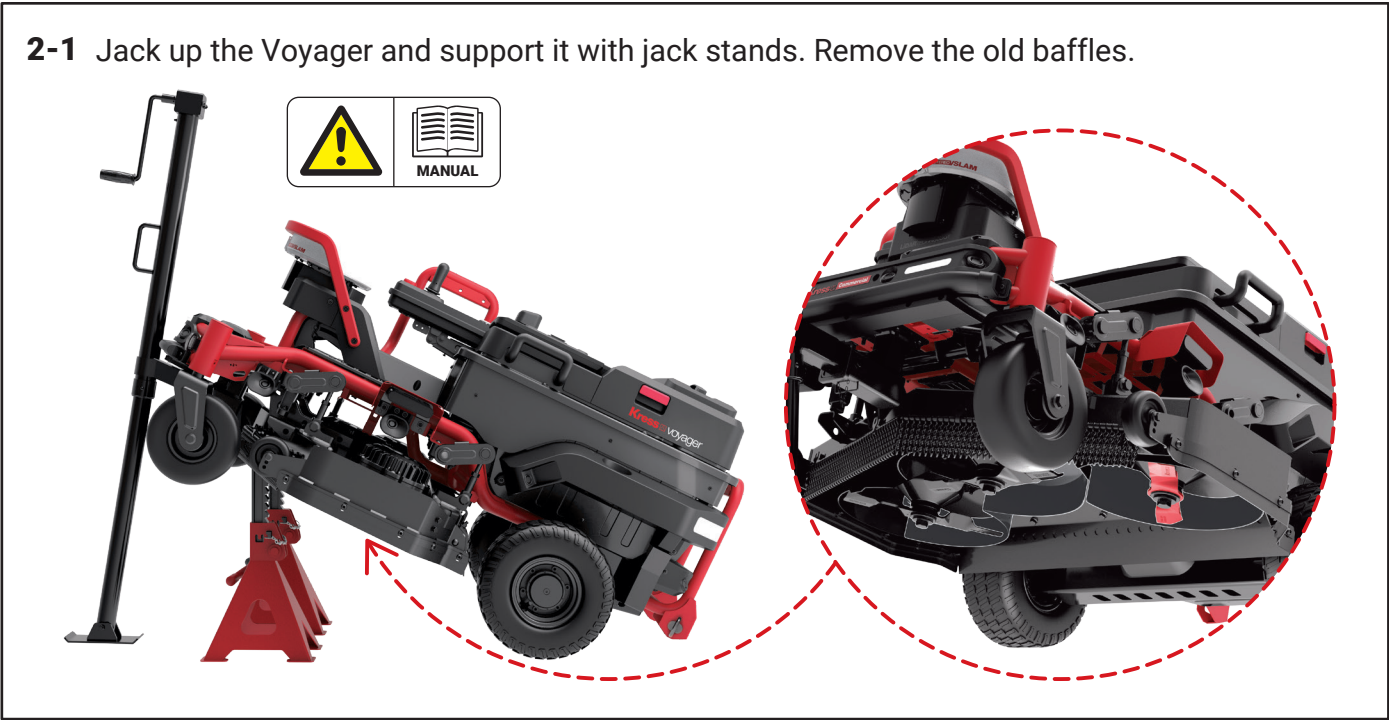


The picture is only for reference

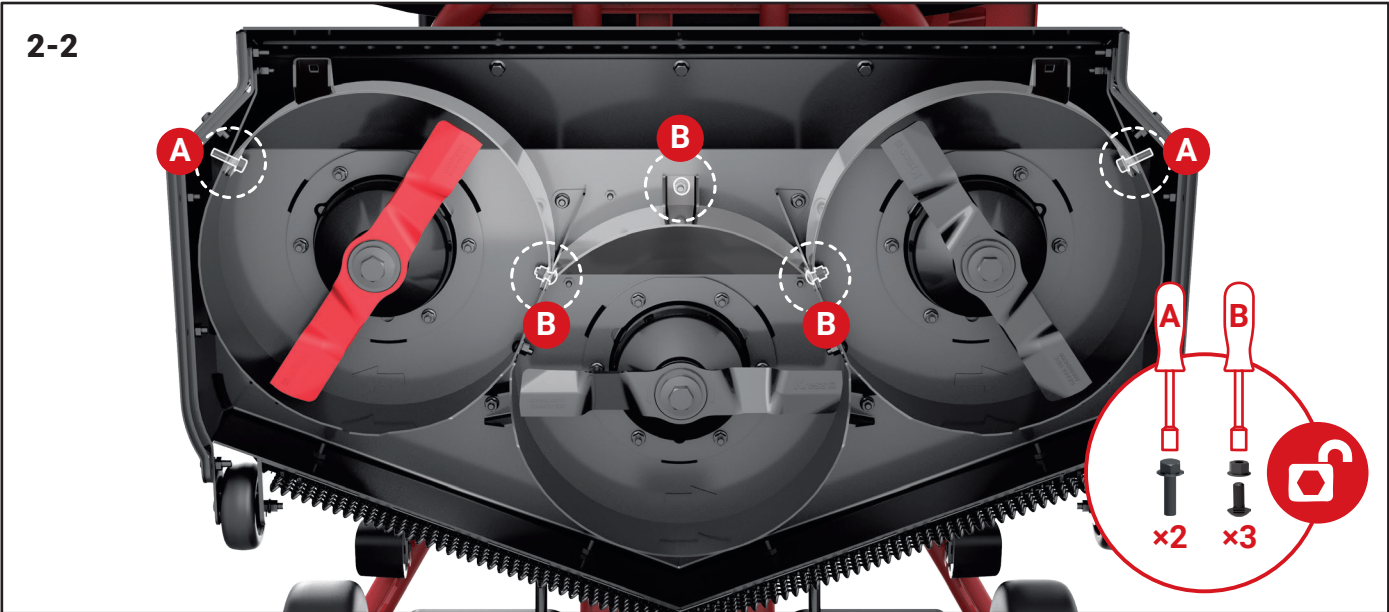
# 1



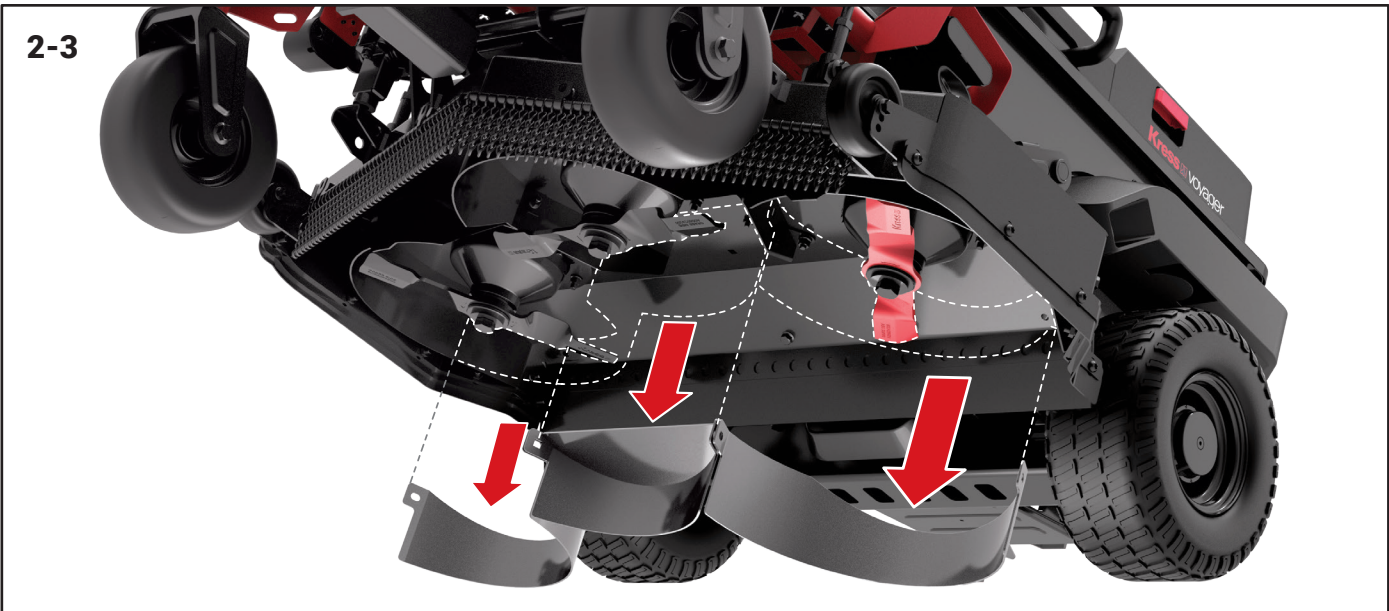
2-1 Jack up the Voyager and support it with jack stands. Remove the old baffles.



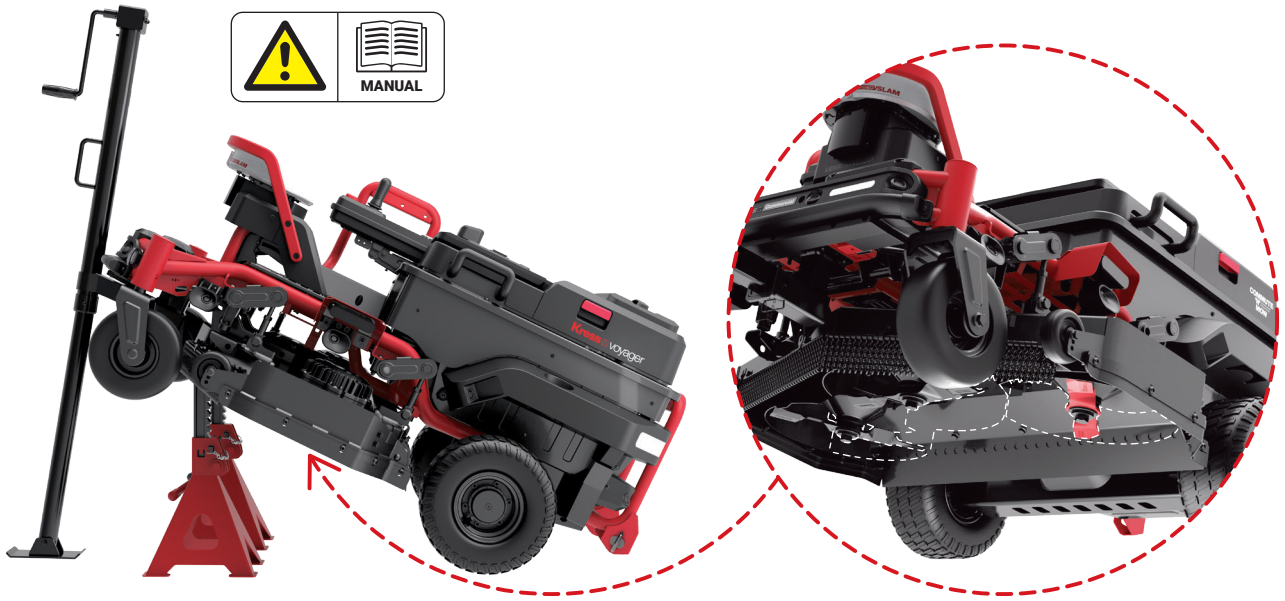
2-2



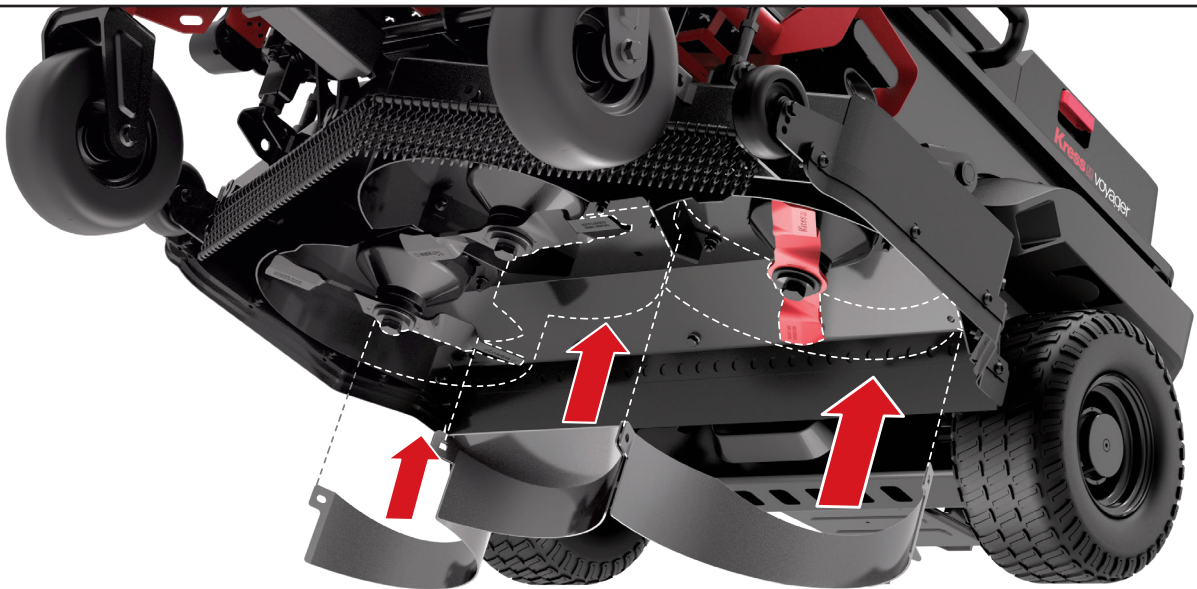
2-3



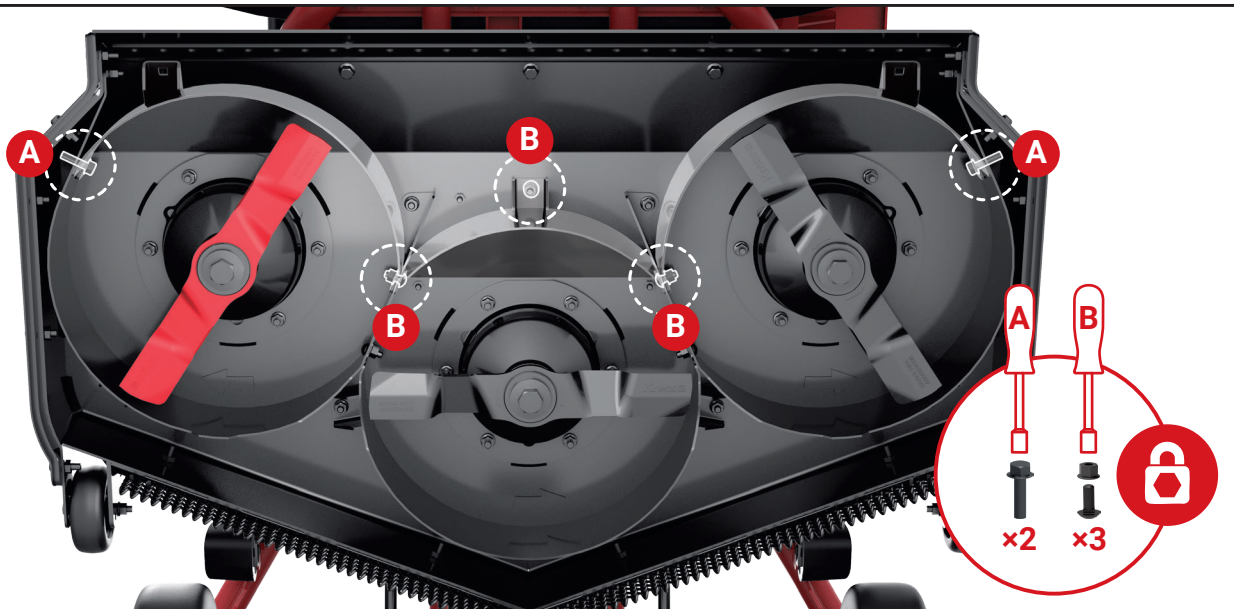
**3-1** Jack up the Voyager and support it with jack stands. Install the new baffles.



**3-2**



**3-3**



4-1



4-2

